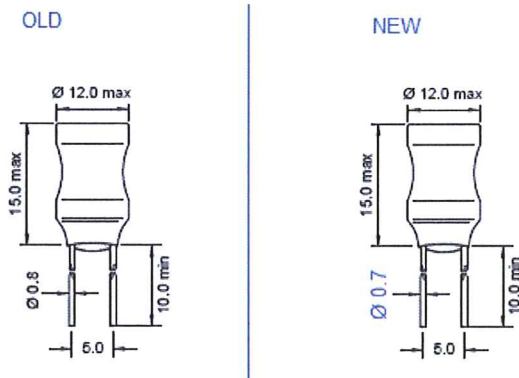


To: All FASTRON Customer

Date: 23 June 2016

PCN no: 000316

Concerning Part Name : 11PHC
Product Type : Plugable Inductors (Pin Type Coils)
Classification of Change : Dimension
Description of Change : Change Leads wire diameter from $\varnothing 0.8$ mm to $\varnothing 0.7$ mm as below drawing.
Reason of Change : Design improvement in accordance to our customers demand



. All dimensions in mm

Expected Influence : No influence on component dimensions and electrical parameters.
Product Identification : Not applicable
Product Availability : December 2016 delivery onwards

Prepared by:
Beng Guat, Ng
R&D, Head of Department

Approved by:
Mr. Krisztian Kovacs
General Manager